



C8

Polyphase induction electricity meters



MAIN FEATURES

- Watt-hour meters for the measurement of alternating current electrical energy in three-phase four-wire circuits
- Watt-hour meters for two-phase three-wire circuits (meter B8kd)
- Watt-hour meters assembled in DIN or BS cases made of thermoplastic material
- Var-hour meters for three-wire and four-wire circuits
- Watt-hour meters with pulse output device (option) enable conversion of measured energy into proportional number of electrical impulses. These impulses can be received by energy and power registers or other devices designed to cooperate with passive output of the meter.

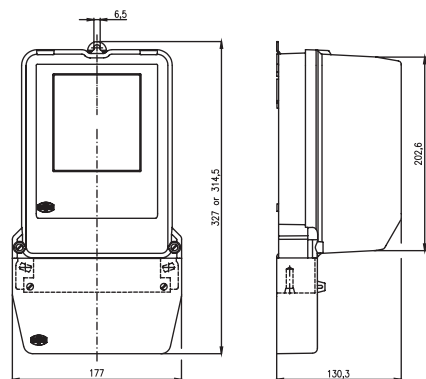
OPTIONAL FEATURES

- Watt-hour meters with single- or two-rate registers and time switch built-in terminal cover
- Watt-hour meters equipped with electronic maximum demand unit

Reliable, Simple and Proven in Practice

SPECIFICATIONS

Reference voltage (U_n)	[V]	3 x 220 / 380; 3 x 230 / 400				3 x 120 / 208	2 x 120 / 208
Type of connection		Direct			Indirect	Direct	
Supply frequency	[Hz]	50 / 60					
Starting current	[mA]	25	50	100	3	100	
Basic current (I_b)	[A]	5	10	20	20	1	20
Maximum current (I_{max})	[A]	20	60	80	120	6	80
Surge withstand capability	[kV]	6					
AC insulation test voltage	[kV]	4					
Accuracy class		2.0					
IP Rating	[IP]	55					
Number of tariffs		One or two					
Register		7 digits					
Lower bearing		Double-jewel or magnetic suspension					
Upper bearing		Needle					
Working temperature		-30 to +70 °C					
Power consumption in voltage circuits	[W/VA]	1.0 / 4.0					
Power consumption in current circuits	[VA]	0.11	0.18		0.06	0.18	
Meter constant	[rev/kWh]	240	75	60	37.5	750	96
Impulse constant	[imp/kWh]	1440	450	360	225	4500	576
Pulse output device		$U_{max} = 27 V; I_{max} = 20 mA$					
Dimensions w/h/d	[mm]	177 / 327 / 130, acc. to DIN					
Weight	[kg]	3.0 - 3.5					
Standards		IEC EN 62052-11, IEC EN 62053-11					

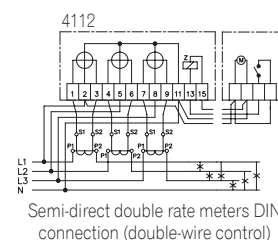
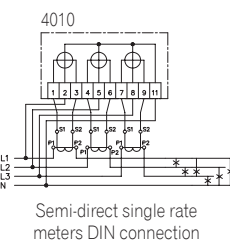
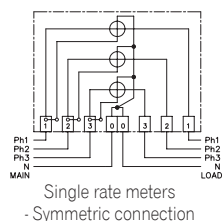
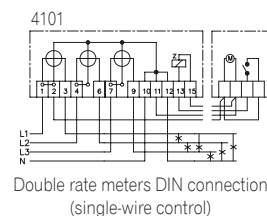
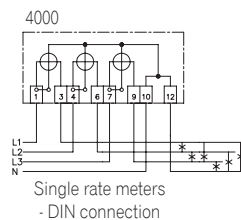


C8 meter's overall dimensions acc. to DIN

6C8d

- 6** ratio of maximum current to basic (rated) current I_{max}/I_b
- A** induction single-phase meter (for single-phase two-wire circuits)
- B** induction two-phase meter (for two-phase three-wire circuits)
- C** induction three-phase meter (for three-phase four-wire circuits)
- 8** design designation
- a** meter for indirect and semi-direct measurement (the lack of "a" letter means meter for direct measurement)
- b** meter for reactive energy (lack of 'b' letter means meter for active energy)
- c** double-rate mechanical register
- d** reversal-preventing device
- g** pulse output device
- m** magnetic lower bearing
- z** voltage circuits' malfunction indicator

Wiring diagrams



PAFAL S.A.
ul. Łukasińskiego 26, 58-100 Świdnica, Poland
tel. +48.74 852 75 88, fax +48.74 852 76 33
pafal@pafal.com.pl